



# INSTRUCTIONS

-J04053

REV. 2008-05-07

## REAR BLADE WHEELS

### GENERAL

#### Kit Number

40701-08, 40814-08, 40816-08, 41567-08, 41680-08, 42091-09

#### Models

For model fitment information, please see the P&A Retail Catalog or the Parts and Accessories section of [www.harley-davidson.com](http://www.harley-davidson.com) (English only).

#### Additional Parts Required

These kits include the custom wheel only.

Proper installation of kit 42091-09 requires the separate purchase of tire 44006-09.

Proper installation of these kits require the separate purchase of the following parts which are available at a Harley-Davidson dealer.

- Wheel Bearing Remover and Installer (HD-44060-A)
- Wheel Installation Kit (See Service Parts tables for part number)

The following Harley-Davidson Genuine Motor Accessories are recommended for proper maintenance and cleaning:

- Harley® Bright™ Chrome Cleaner (94683-99)
- Harley® Glaze™ Polish and Sealant (99701-84)
- Harley® Wheel and Spoke Brush (43078-99)
- Harley-Davidson® Wheel and Tire Cleaner (94658-98)

### WARNING

**The rider's safety depends upon the correct installation of this kit. Use the appropriate service manual procedures. If the procedure is not within your capabilities or you do not have the correct tools, have a Harley-Davidson dealer perform the installation. Improper installation of this kit could result in death or serious injury. (00333a)**

#### NOTE

*This instruction sheet references service manual information. A service manual for your model motorcycle is required for this installation and is available from a Harley-Davidson dealer.*

#### Kit Contents

See Figure 1 and Service Parts Tables.

### INSTALLATION

1. Remove existing rear wheel assembly. Save axle, axle nut, brake disc and wheel spacers for kit installation. Refer to the service manual.

#### NOTES

*Prior to removing or installing the wheel, the rear brake caliper must be removed.*

*The cotter pin or spring clip for the axle nut must be replaced. They are available for purchase from a dealer. See a dealer for the correct part number.*

### CAUTION

**Do not re-use brake disc screws. Re-using disc screws can result in torque loss and damage to rotor and/or brake assembly. (00319b)**

### CAUTION

**Do not re-use sprocket mounting screws. Re-using sprocket mounting screws can result in torque loss and damage to the sprocket and/or belt assembly. (00480b)**

2. See Figure 1. Install valve stem assembly (E) on wheel. Refer to the service manual.
3. Assemble wheel installation kit components, stock brake disc and sprocket to wheel using the appropriate service parts table. Refer to the service manual.

#### NOTES

*Install the primary bearing first using appropriate service manual and WHEEL BEARING REMOVER/INSTALLER.*

*The machined grooves in the hub face indicate the primary bearing side.*

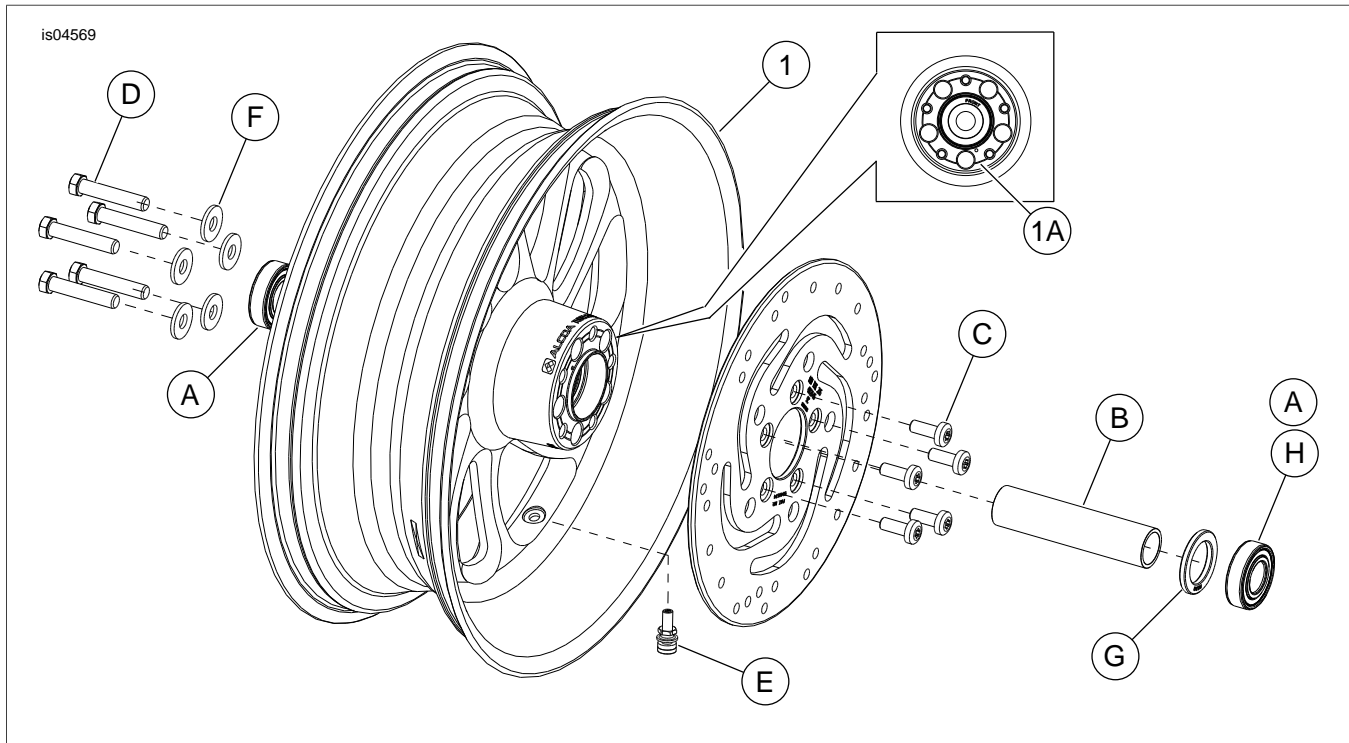
4. Install rear wheel (1), stock axle and stock spacers to motorcycle. Refer to REAR WHEEL in service manual.

### MAINTENANCE AND CLEANING

Chrome parts must be maintained regularly to keep their original shine and luster.

1. Clean heavily-soiled wheel surfaces using Harley-Davidson Wheel and Tire Cleaner, applied with Harley Wheel and Spoke Brush.
2. Thoroughly clean chrome with a good quality chrome cleaner, such as Harley Bright Chrome Cleaner.
3. After cleaning and polishing, seal the finish with a good quality sealer, such as Harley Glaze Polish and Sealant.

# SERVICE PARTS



**Figure 1. Service Parts: Rear Blade Wheels (17-inch wheel shown)**

**Table 1. Service Parts Table**

Kit	Installation Kit	Item	Description (Quantity)	Part Number		
40816-08		1	Wheel	Not Sold Separately		
		1A	Machined groove	Not Sold Separately		
2000-2005 Dyna, 2000- 2002 Softail (except FXSTD) and 2000-2001 FLT	43854-08 16x3 inch rear wheel	A	Bearing (2)	9267		
		B	Sleeve, bearing spacer	43608-00		
		C	Disc screw (5)	43567-92		
		D	Sprocket screw (5) (Dyna and Softail models)	3737A		
			Sprocket screw (5) (FLT models)	3899		
		E	Valve stem assembly (short)	43157-83A		
		F	Washer (5)	6516HW		
		NOTE: Discard the following components which are provided with this installation kit, but are not required for this fitment.				
				Sleeve, bearing spacer	43618-06	
				Sleeve, bearing spacer	43618-07	
		Sprocket screw (5)	3109			
		Valve stem assembly (long)	43206-01			

**Table 1. Service Parts Table**

Kit	Installation Kit	Item	Description (Quantity)	Part Number		
2002-2007 Touring	43861-08 16x3 inch rear wheel	A	Bearing (2)	9247		
		B	Sleeve, bearing spacer	43517-00		
		C	Disc screw (5)	43567-92		
		D	Sprocket screw (5) (2004-2006 FLT models)	3737A		
			Sprocket screw (5) (2007 FLT models)	3109		
			Sprocket screw (5) (2002-2003 FLT models)	3899		
		E	Valve stem assembly (short)	43157-83A		
		F	Washer (5) (2006 and earlier FLT models)	6516HW		
		NOTE: Discard the following components which are provided with this installation kit, but are not required for this fitment.				
			Sleeve, bearing spacer	43704-01		
			Sprocket bolt (5)	3873		
			Sprocket bolt (5)	40439-01		
			Sprocket washer (5)	7039		
			TORX® bolt (5)	4552		
			Valve stem assembly (long)	43206-01		
2008 Touring (Non-ABS)	43878-08 16x3 inch rear wheel	A	Bearing (2)	9276		
		B	Sleeve, bearing spacer	41900-08		
		C	Disc screw (5)	43567-92		
		D	Sprocket screw (5)	3814		
		E	Valve stem assembly (short)	43157-83A		
		G	Shim, bearing (install under primary bearing)	43904-08		
		NOTE: Discard the following components which are provided with this installation kit, but are not required for this fitment.				
			Sleeve, bearing spacer	41696-08		
			Sprocket screw (5)	3109		
			Valve stem assembly (long)	43206-01		
			Sprocket screws (5)	3899		
			Sleeve, bearing spacer	41858-08		
			Washer	6516HW		
		2008 Touring (ABS)	41453-08A 16x3 inch rear wheel	A	Bearing	9276
				B	Sleeve, bearing spacer	41900-08
C	Disc screw (5)			43567-92		
D	Sprocket screw (5)			3814		
E	Valve stem assembly (short)			43157-83A		
G	Shim, bearing (install under primary bearing)			43904-08		
H	Bearing, ABS (red side must face inward)			9252		
NOTE: Discard the following components which are provided with this installation kit, but are not required for this fitment.						
	Shim, bearing			41447-08		
	Sleeve, bearing spacer			41349-07		
	Sleeve, bearing spacer			43704-08		
	Sprocket washer (5)			7039		
	TORX bolt (5)			4552		
	Valve stem assembly (long)			43206-01		

**Table 2. Service Parts Table**

Kit	Installation Kit	Item	Description (Quantity)	Part Number	
40814-08		1	Wheel	Not Sold Separately	
2008 and later FLSTN and FLSTC	43878-08 16x3 inch rear wheel	A	Bearing (2)	9276	
		B	Sleeve, bearing spacer	41696-08	
		C	Disc screw (5)	43567-92	
		D	Sprocket screw (5)	3109	
		E	Valve stem	43157-83A	
		Discard the following components which are provided with this installation kit but are not required for this fitment.			
			Shim, bearing		43904-08
			Sleeve, bearing spacer		41900-08
			Sleeve, bearing spacer		41858-08
			Sleeve, bearing spacer		43905-08
			Sprocket screw (5)		3814
			Sprocket screw (5)		3899
			Washer (5)		6516HW
			Valve stem		43206-01

**Table 3. Service Parts Table**

Kit	Installation Kit	Item	Description (Quantity)	Part Number	
41680-08		1	Wheel	Not Sold Separately	
		1A	Machined groove	Not Sold Separately	
2006 FXST, FXSTS, FXSTB and FLSTFSEi	43854-08 17x6 inch rear wheel	A	Bearing (2)	9267	
		B	Sleeve, bearing spacer	43618-06	
		C	Disc screw (5)	43567-92	
		D	Sprocket screw (5)	3737A	
		E	Valve stem assembly (short)	43157-83A	
		F	Washer	6516HW	
		NOTE: Discard the following components which are provided with this installation kit, but are not required for this fitment.			
			Sleeve, bearing spacer		43608-00
			Sleeve, bearing spacer		43618-07
			Sprocket screw (5)		3109
			Sprocket screw (5)		3899
	Valve stem assembly (long)		43206-01		

**Table 4. Service Parts Table**

Kit	Installation Kit	Item	Description (Quantity)	Part Number
41567-08		1	Wheel	Not Sold Separately
		1A	Machined groove	Not Sold Separately

**Table 4. Service Parts Table**

Kit	Installation Kit	Item	Description (Quantity)	Part Number	
2007 FXST, FLSTF, FXSTB and FXSTC	43854-08 17x6 inch rear wheel	A	Bearing (2)	9267	
		B	Sleeve, bearing spacer	43618-07	
		C	Disc screw (5)	43567-92	
		D	Sprocket screw (5)	3109	
		E	Valve stem assembly (short)	43157-83A	
		NOTE: Discard the following components which are provided with this installation kit, but are not required for this fitment.			
			Sleeve, bearing spacer	43608-00	
			Sleeve, bearing spacer	43618-06	
			Sprocket screw (5)	3737A	
			Sprocket screw (5)	3899	
			Valve stem assembly (short)	43206-01	
			Washer	6516HW	

**Table 5. Service Parts Table**

Kit	Installation Kit	Item	Description (Quantity)	Part Number	
40701-08		1	Wheel	Not Sold Separately	
		1A	Machined groove	Not Sold Separately	
2008 and later FXSTSB, FXSTB, FXSTC and FLSTF	43878-08 17x6 inch rear wheel	A	Bearing (2)	9276	
		B	Sleeve, bearing spacer	41696-08	
		C	Disc screw (5)	43567-92	
		D	Sprocket screw (5)	3109	
		E	Valve stem assembly (short)	43157-83A	
		NOTE: Discard the following components which are provided with this installation kit, but are not required for this fitment.			
			Shim, bearing	43904-08	
			Sleeve, bearing spacer	41900-08	
			Sleeve, bearing spacer	41858-08	
			Sprocket screw (5)	3814	
			Sprocket screw (5)	3899	
	Valve stem assembly (long)	43206-01			
	Washer (5)	6516HW			

**Table 6. Service Parts Table**

Kit	Installation Kit	Item	Description (Quantity)	Part Number
42091-09		1	Wheel	Not Sold Separately
		1A	Machined groove	Not Sold Separately

**Table 6. Service Parts Table**

Kit	Installation Kit	Item	Description (Quantity)	Part Number	
2009 Touring (Non-ABS)	41456-08A 18x5 inch rear wheel	A	Bearing (2)	9276	
		B	Sleeve, bearing spacer	41349-07	
		C	Disc screw (5)	43567-92	
		E	Valve stem assembly (short)	43157-83A	
		NOTE: Discard the following components which are provided with this installation kit, but are not required for this fitment.			
			Sleeve, bearing spacer	41358-08	
			Sleeve, bearing spacer	43704-08	
			Sprocket screw (5)	3109	
			Valve stem assembly (long)	43206-01	
			TORX screw (5)	4552	
			Washer	7039	
			Shim bearing	41447-08	
		2009 Touring (ABS)	41453-08A 18x5 inch rear wheel	A	Bearing
B	Sleeve, bearing spacer			41349-07	
C	Disc screw (5)			43567-92	
E	Valve stem assembly (short)			43157-83A	
H	Bearing, ABS (red side must face inward)			9252	
NOTE: Discard the following components which are provided with this installation kit, but are not required for this fitment.					
	Shim, bearing			41447-08	
	Shim, bearing			43904-08	
	Sleeve, bearing spacer			41900-08	
	Sleeve, bearing spacer			43704-08	
	Sprocket washer (5)			7039	
	Sprocket screw (5)			3814	
	Valve stem assembly (long)			43206-01	
	TORX screw (5)	4552			